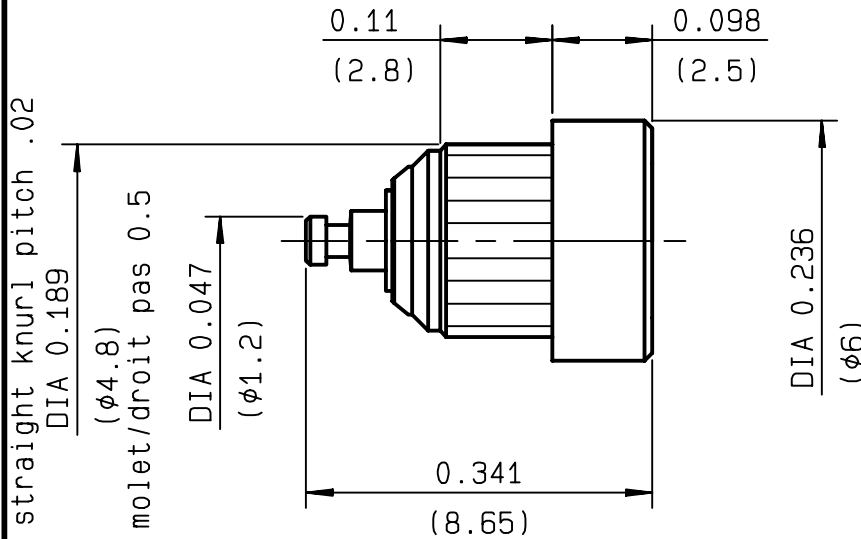
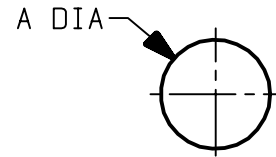


**FEEDTROUGH JACK RECEPTACLE PRESS FIT  
FRONT MOUNTING**

**R113.402.000**  
**SERIES MCX**



PERCAGE PANNEAU  
MOUNTING HOLE



	MM		INCH	
	maxi	mini	maxi	mini
A	4.77	4.74	0.188	0.187

NOMINAL IMPEDANCE	<b>50</b> Ω
FREQUENCY RANGE	<b>0-3</b> GHz
TEMPERATURE RATING	<b>-55/+155</b> °C
V.S.W.R	<b>NA</b> + x F(GHz)Maxi
RF INSERTION LOSS	<b>NA</b> √F(GHz) dB Maxi
VOLTAGE RATING	<b>335</b> Veff Maxi
DIELECTRIC WITHSTANDING VOLTAGE	<b>1000</b> Veff Mini
INSULATION RESISTANCE	<b>1000</b> MΩMini
HERMETIC SEAL	<b>NA</b> Atm.cm <sup>3</sup> /s
LEAKAGE (pressurized only)	<b>NA</b>
MECHANICAL DURABILITY	<b>500</b> Cycles
WEIGHT	<b>.75</b> gr
SPECIFICATION	

CABLES :

OTHERS CHARACTERISTICS

CABLE RETENTION	<b>NA</b>	N Mini
CENTER CONTACT RETENTION		
Axial force - mating end	<b>10</b>	N Mini
Axial force - opposite end	<b>10</b>	N Mini
Torque	<b>NA</b>	cm.N Mini
RECOMMENDED TORQUES		
Mating	<b>NA</b>	cm.N
Panel nut	<b>NA</b>	cm.N
Clamp nut	<b>NA</b>	cm.N

CONNECTOR PARTS	MATERIALS	FINISH	(all values are given in micrometers)
BODY	BRASS	GOLD 0.2 OVER NICKEL 2	
OUTER CONTACT			
CENTER CONTACT	BERYLLIUM COPPER	GOLD 1.3 OVER NICKEL 2	
INSULATOR	PTFE	-	
GASKET		-	
OTHERS PIECES			

MASTRIANO

ISSUE	CREATION DATE	FILE PART-NUMBER
<b>9836A00</b>	<b>29/07/1998</b>	<b>98-0400-834</b>



The information given here is subject to change without notice. Design changes may be in order to improve the product .

Connect to the future